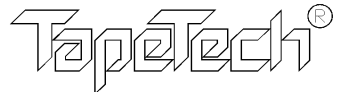
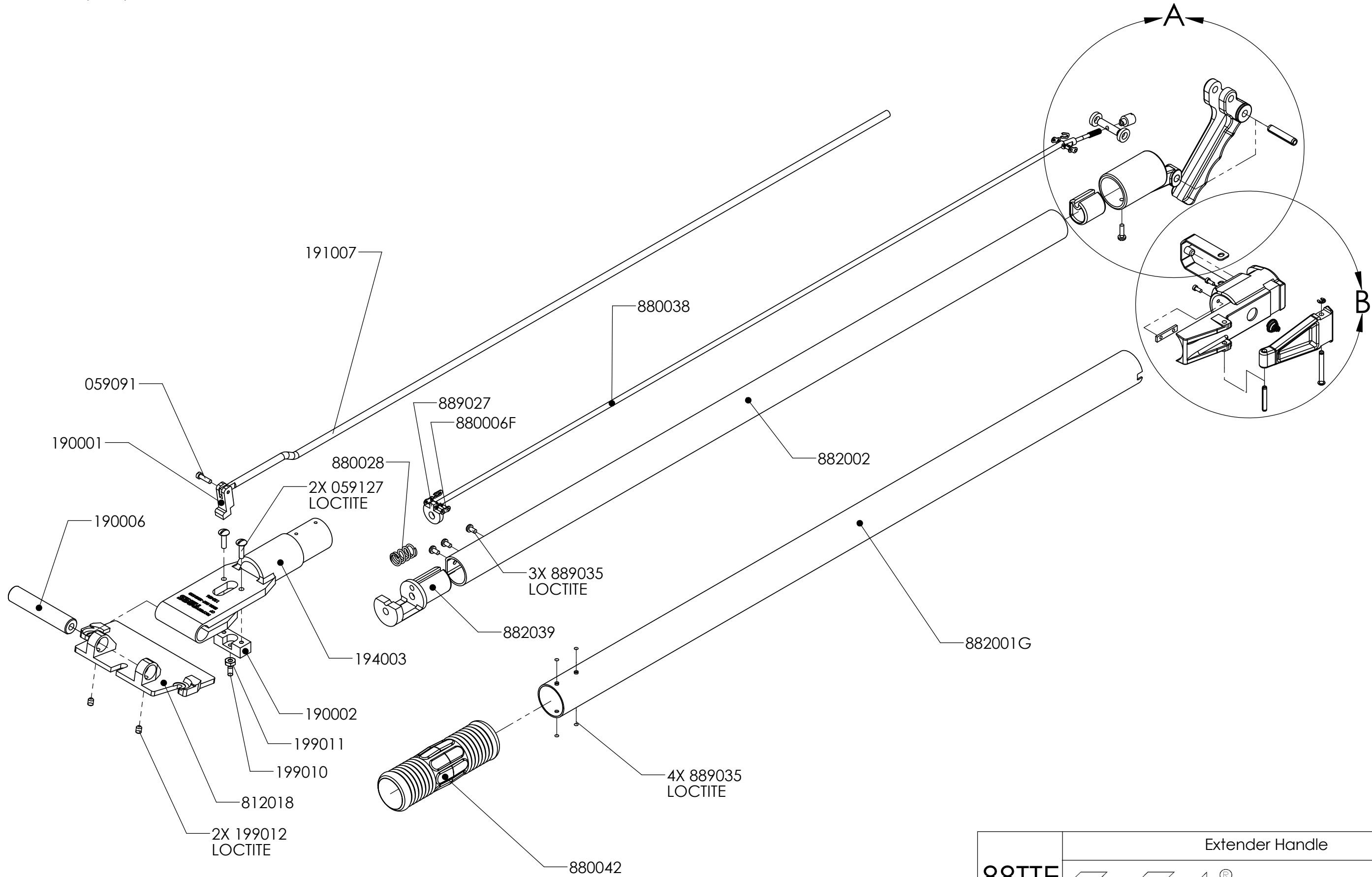


REVISIONS				
ECN	REV.	DESCRIPTION	DATE	APPROVED
	A	RELEASED FOR PRODUCTION	06/05	DJC

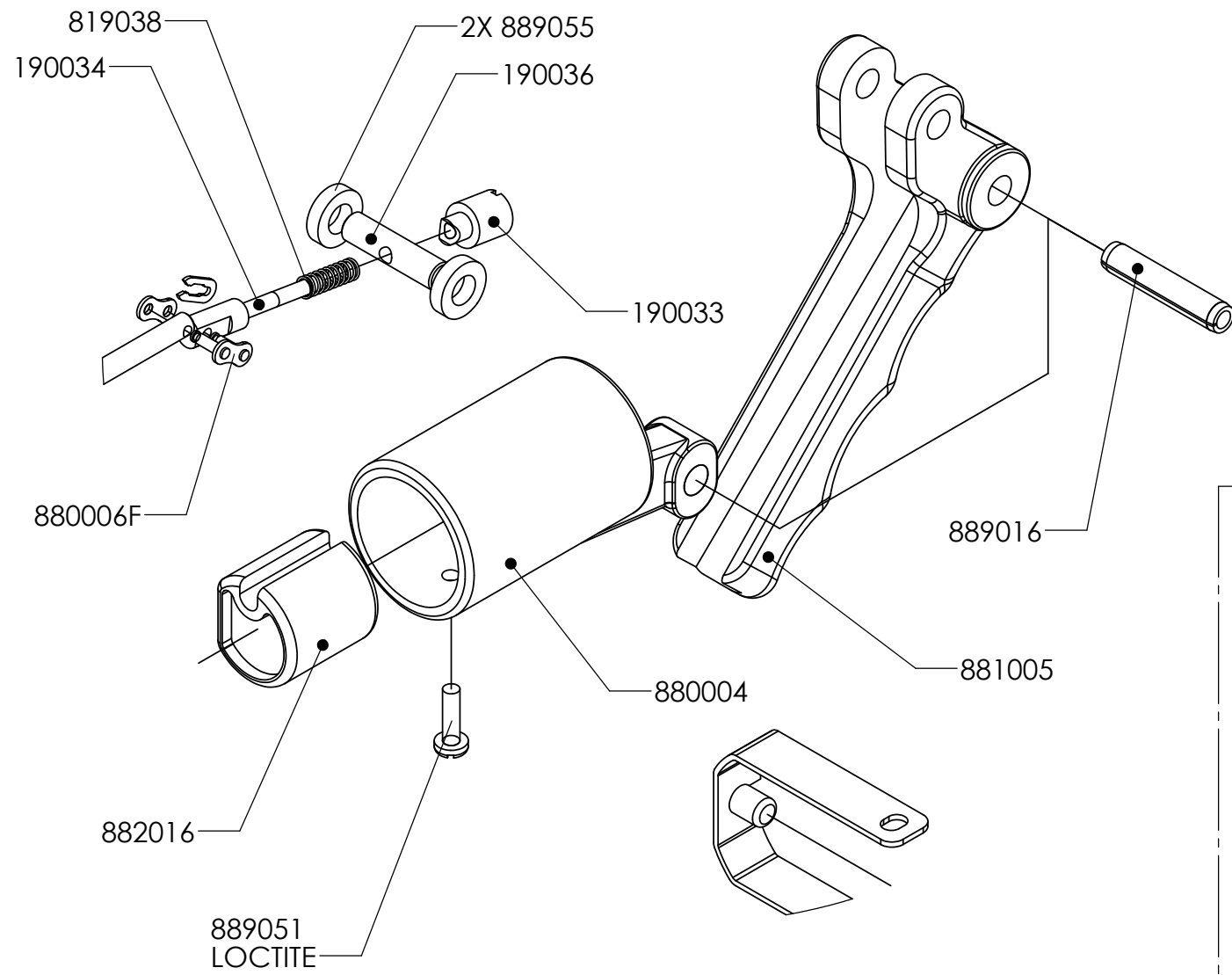
P/N	Qty	Description	P/N	Qty	Description
882001G	1	Exterior Tube	190033	1	Adjuster
882002	1	Profile Extrusion	819038	1	Grip Adjuster Spring
884003B	1	Handle Bracket	059127	2	#8-32 x 5/8 Truss Head Screw
880004	1	Brake Lever Bracket	196003	1	Hinge Casting
881005	1	Rear Brake Lever	889055	2	Nylon Spacer
880006F	2	Master Link	199012	2	#10-32 x 1/4 Cup Pnt. Set Screw
190034	1	Coupler	889027	1	Lock Washer (Special)
190001	1	Lever	880028	1	Compression Spring
190036	1	Pin	209012	2	#4-40 x 1/4 Slotted Fil. Head Screw
889017	1	Conical Spring	889035	7	#6-32 x 1/4 Slotted Pan Head Screw
882001B	1	Actuator	191007	1	Rod
882012	1	Actuator-Clip Pin	880038	1	Connecting Rod
882013	1	Locking Pin	882039	1	Spring Housing
199010	1	#8-32 x 3/8 Flat Pnt. Set Screw	190002	1	Block
889016	1	1/4 x 1-1/4 Slotted Spring Pin	880042	1	Rubber Grip Handle
059091	1	#6-32 x 1/2 Slotted Fil. Head Screw	880053	1	Lock Block
199011	1	#8-32 Small Pattern Hex Nut	889051	1	#6-32 x 1/2 Slotted Pan Head Screw
812018	1	Connector Plate	882016	1	Guide Plug
190006	1	Pin	882014	1	Locking Clip
889009	1	5/32 x 1 Slotted Spring Pin	889018	1	E-Clip .156

	BY	DATE	Extender Handle			
DRAWN	D.J.C.	03/05	 <b>an Axia Enterprise</b>			
CHECKED	X.X.X.	##/##				
ALL DIMENSIONS IN INCHES UNLESS OTHERWISE NOTED TOLERANCES UNLESS NOTED .XX ± 0.010"      ANGULAR ±.5° .XXX ± 0.005"			SIZE <b>B</b>	SCALE = 3:10	DWG. NO. <b>88TTE</b>	REV. <b>A</b>
MATERIAL: N/A			ASSEMBLY REF. NO. N/A		SHEET 1 of 3	

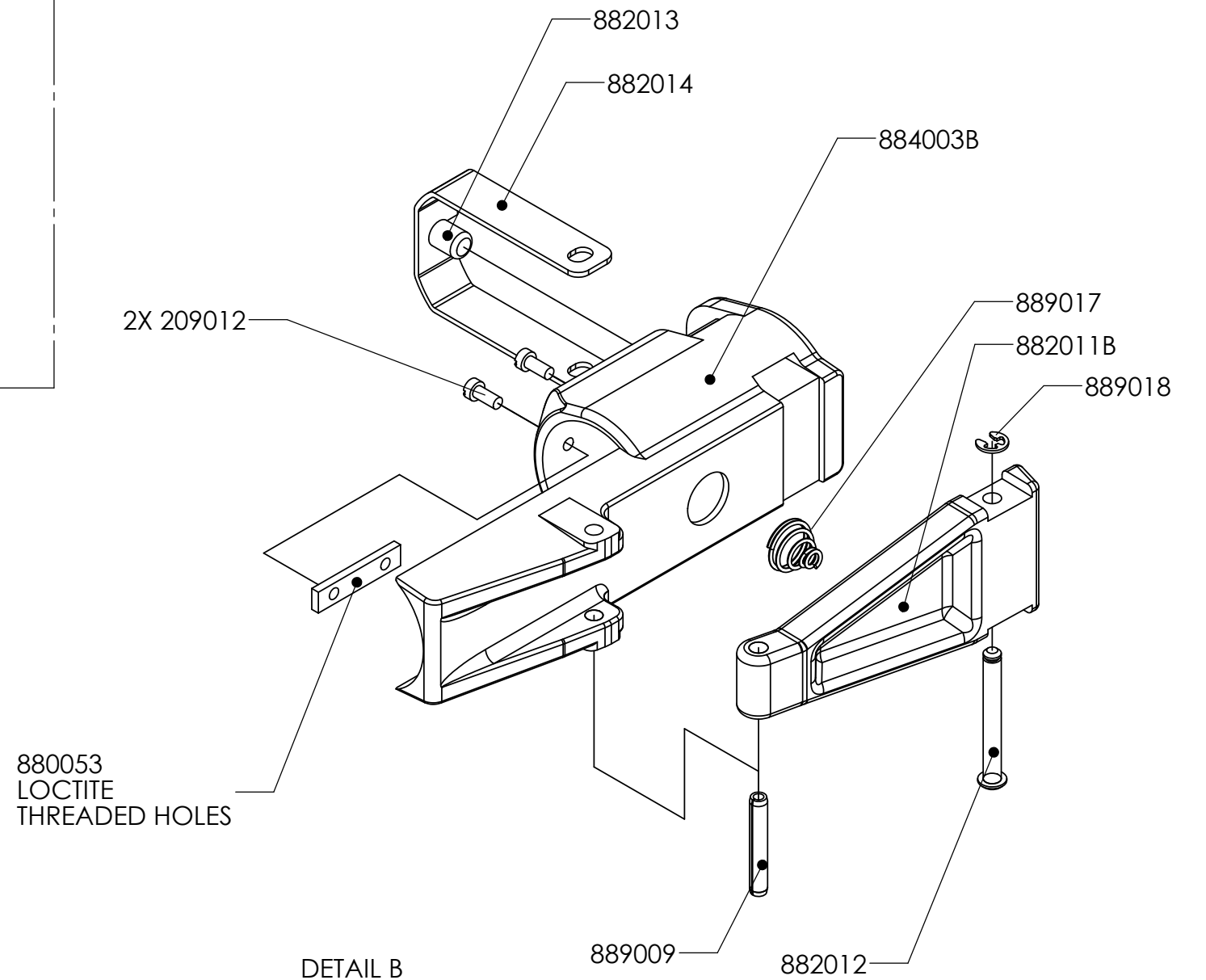
NOTES:  
 1. LOCTITE 242 (BLUE) TO BE USED ON SCREW THREADS AS NOTED.



<b>88TTE</b>	Extender Handle	
	<b>TopoTech</b> <sup>®</sup> an <i>Axia</i> Enterprise	REV. A



DETAIL A  
SCALE 3 : 4



DETAIL B  
SCALE 3 : 4

88TTE	Extender Handle	
	 an <i>Axia</i> Enterprise	REV. A