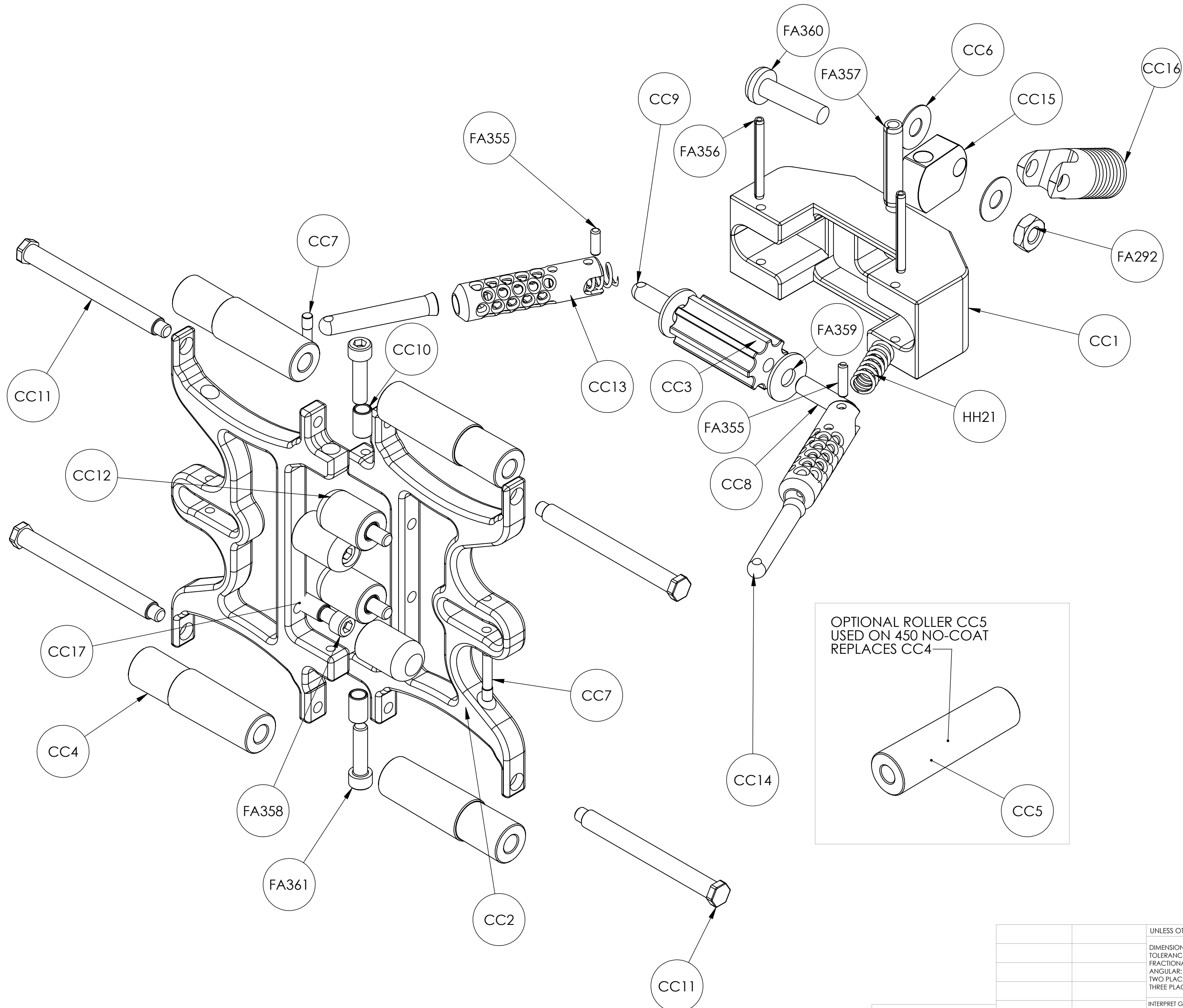
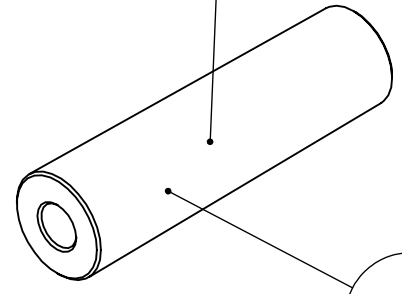


# CORNER COBRA



PART DESCRIPTION	PART NUMBER	QTY.
BLOCK	CC1	1
DOUBLE WING	CC2	2
ADJUSTING ROLLER	CC3	1
STEP ROLLER	CC4	4
REGULAR ROLLER	CC5	4
NYLON WASHER	CC6	2
HINGE PIN	CC7	2
LEFT HAND POST	CC8	1
RIGHT HAND POST	CC9	1
BUSHING .4" LONG	CC10	2
SHOULDER BOLT	CC11	4
SMALL ROLLER	CC12	4
SPRING TUBE	CC13	2
TELESCOPING POST	CC14	2
UNIVERSAL HINGE	CC15	1
HANDLE ADAPTER	CC16	1
BUSHING .6" LONG	CC17	4
1/4 -20 JAM NUT	FA292	1
DOWEL PIN .125x0.5	FA355	1
SPLIT PIN.125x1.25	FA356	2
SPLIT PIN 1/4 X 1.25	FA357	1
SHCS 10-32x0.875	FA358	3
BRASS WASHER	FA359	2
1/4-20 SLOTTED BOLT	FA360	1
SHCS 10-32x0.75	FA361	2
SPRING .375 X .875LG	HH21	2

OPTIONAL ROLLER CC5  
USED ON 450 NO-COAT  
REPLACES CC4



**PROPRIETARY AND CONFIDENTIAL**  
THE INFORMATION CONTAINED IN THIS DRAWING IS THE SOLE PROPERTY OF <INSERT COMPANY NAME HERE>. ANY REPRODUCTION IN PART OR AS A WHOLE WITHOUT THE WRITTEN PERMISSION OF <INSERT COMPANY NAME HERE> IS PROHIBITED.

UNLESS OTHERWISE SPECIFIED:		NAME	DATE	TITLE:
DIMENSIONS ARE IN INCHES		DRAWN		
TOLERANCES:		CHECKED		
FRACTIONAL ±		ENG APPR.		
ANGULAR: MACH ±		MFG APPR.		REV
BEND ±		Q.A.		
TWO PLACE DECIMAL ±		COMMENTS:		
THREE PLACE DECIMAL ±				
INTERPRET GEOMETRIC TOLERANCING PER:				
MATERIAL				
NEXT ASSY	USED ON			
FINISH				
APPLICATION				
DO NOT SCALE DRAWING				
SIZE	DWG. NO.	CORNER COBRA ASSEMBLY		
C				
SCALE: 1:4	WEIGHT:	SHEET 1 OF 1		