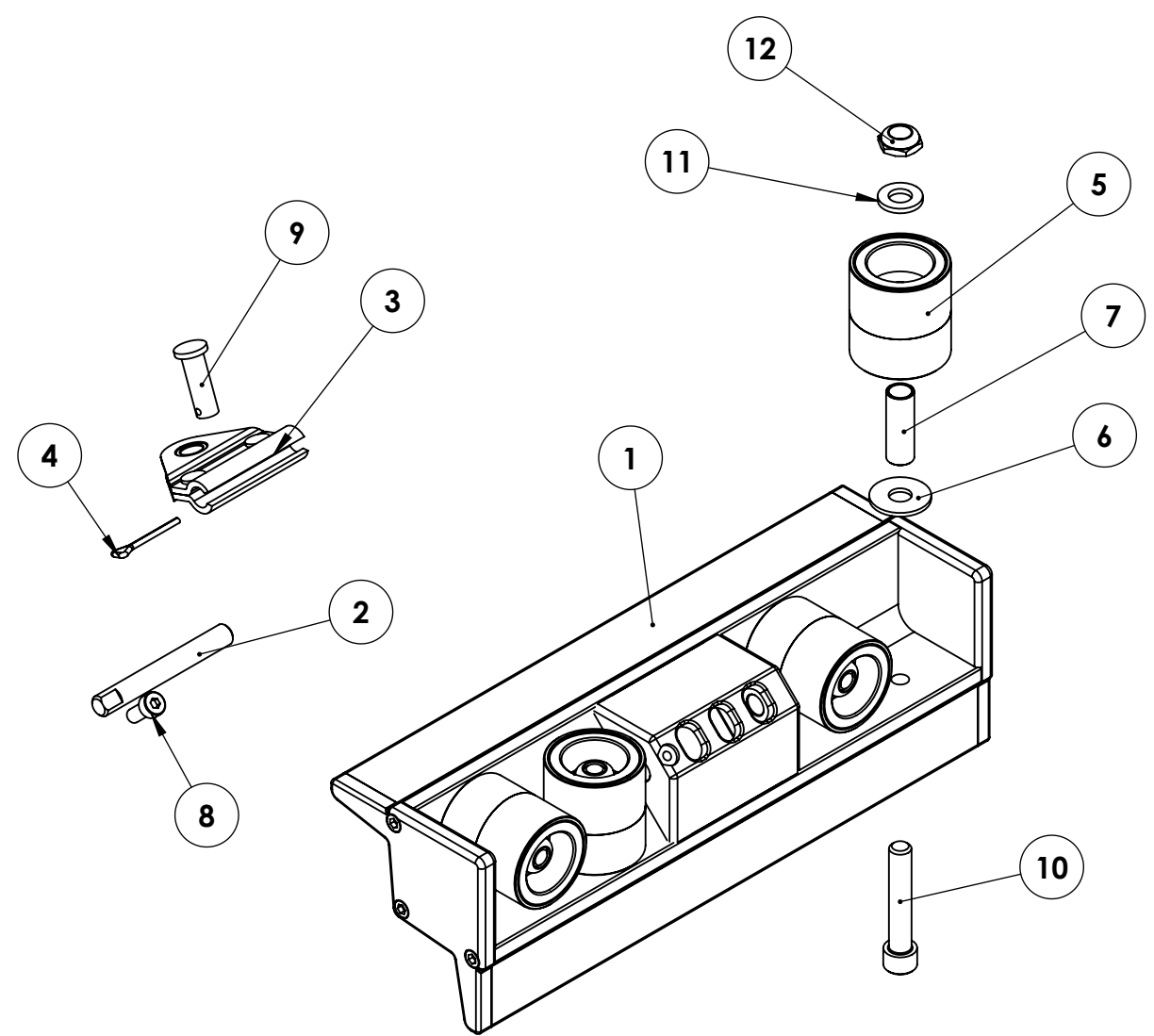


8 7 6 5 4 3 2 1

ITEM NO.	PART NUMBER	DESCRIPTION	QTY.
1	CR-1	Corner Roller Frame Sub-Assy.	1
2	CR-2	HINGE PIN	1
3	CR-8	HINGE ASSEMBLY	1
4	SHW-093	5/64x3/4 COTTER PIN	1
5	CR-4	ROLLER ASSEMBLY	4
6	SHW-086	11/16 ODx.26 IDx.05 THK FLAT WASHER	4
7	CR-5	ROLLER BUSHING	4
8	SHW-095	8-32x3/8 LG HEX SOCKET CAP SCREW	1
9	SHW-091	1/4 DIAx3/4 LG CLEVIS PIN	1
10	SHW-085	SCREW; Sockethead; 1/4"-20x1.38; SS	4
11	SHW-092	1/4 FLAT WASHER	4
12	SHW-077	1/4-20 THIN NYLOCK	4



D
C
B
A

D
C
B
A

PROPRIETARY AND CONFIDENTIAL
 THE INFORMATION CONTAINED IN THIS DRAWING IS THE SOLE PROPERTY OF NorthStar Tools, 4381 Dawson Street, Burnaby, BC V5C 4B4. ANY REPRODUCTION IN PART OR AS A WHOLE WITHOUT THE WRITTEN PERMISSION OF NorthStar Tools IS PROHIBITED.

		UNLESS OTHERWISE SPECIFIED:		NAME	DATE	 Toll Free: 1-866-379-0665 Fax: (604) 320-0667 www.NorthStarTool.com
		DIMENSIONS ARE IN INCHES TOLERANCES: FRACTIONAL: ± 1/64" ANGULAR: MACH ± 0.5° BEND ± 0.5° TWO PLACE DECIMAL ± 0.010" THREE PLACE DECIMAL ± 0.005"		DRAWN	C.R.K.	
		INTERPRET GEOMETRIC TOLERANCING PER:		CHECKED		
		MATERIAL		ENG APPR.		
		FINISH		MFG APPR.		
NEXT ASSY	USED ON			Q.A.		
APPLICATION		DO NOT SCALE DRAWING		COMMENTS:		
						TITLE:
						Corner Roller
		SIZE	DWG. NO.	REV		
		B	NS015			
		SCALE: 1:2	WEIGHT:	SHEET 1 OF 1		

8 7 6 5 4 3 2 1