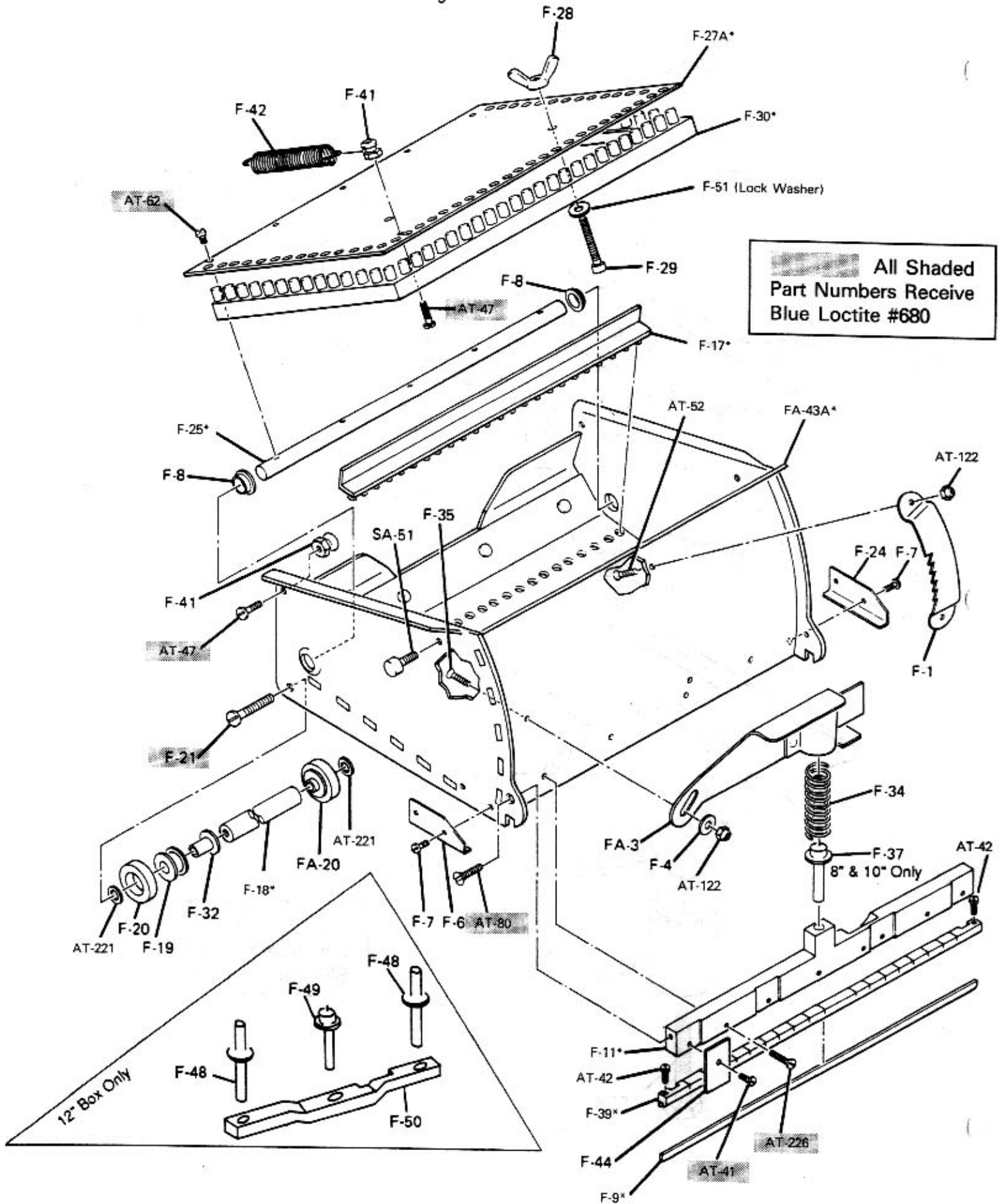


# FLAT BOX

\*Specify 8, 10 or 12 Inch Widths When Ordering



Effective and Revised August 1, 1995