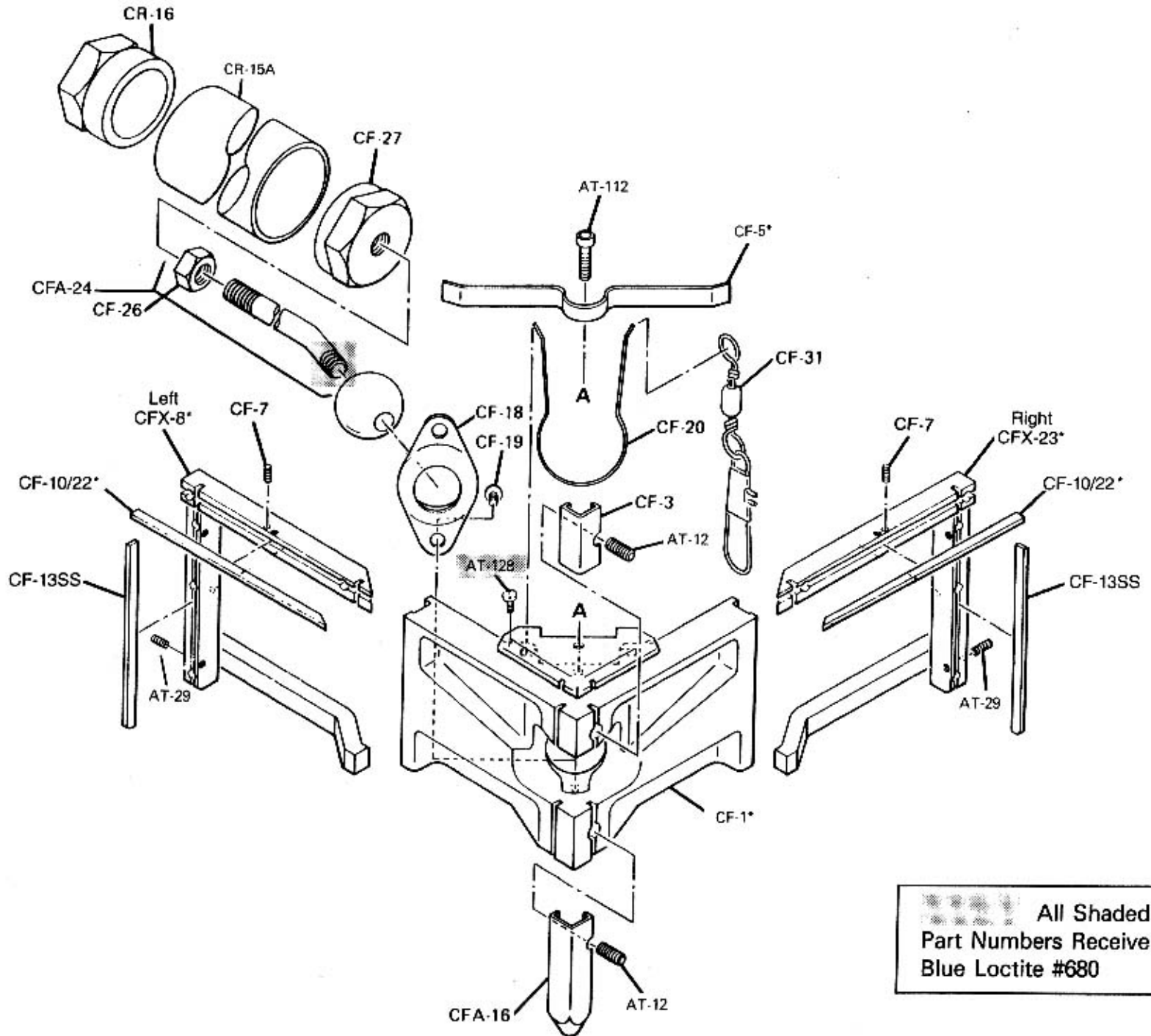


CORNER FINISHER
 *Specify 2 or 3 Inch Widths When Ordering



All Shaded
 Part Numbers Receive
 Blue Loctite #680