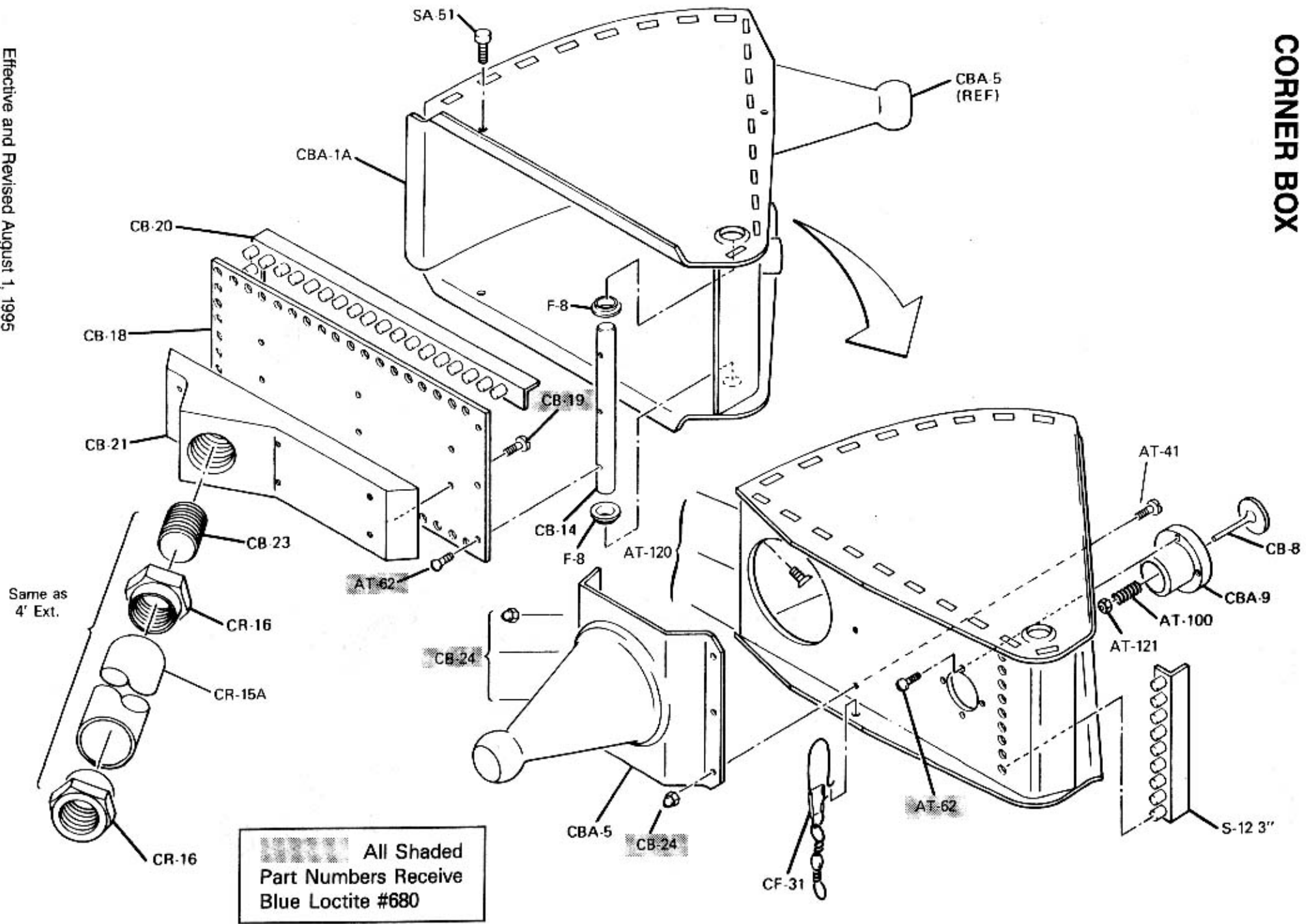


CORNER BOX

Effective and Revised August 1, 1995



All Shaded Part Numbers Receive Blue Loctite #680