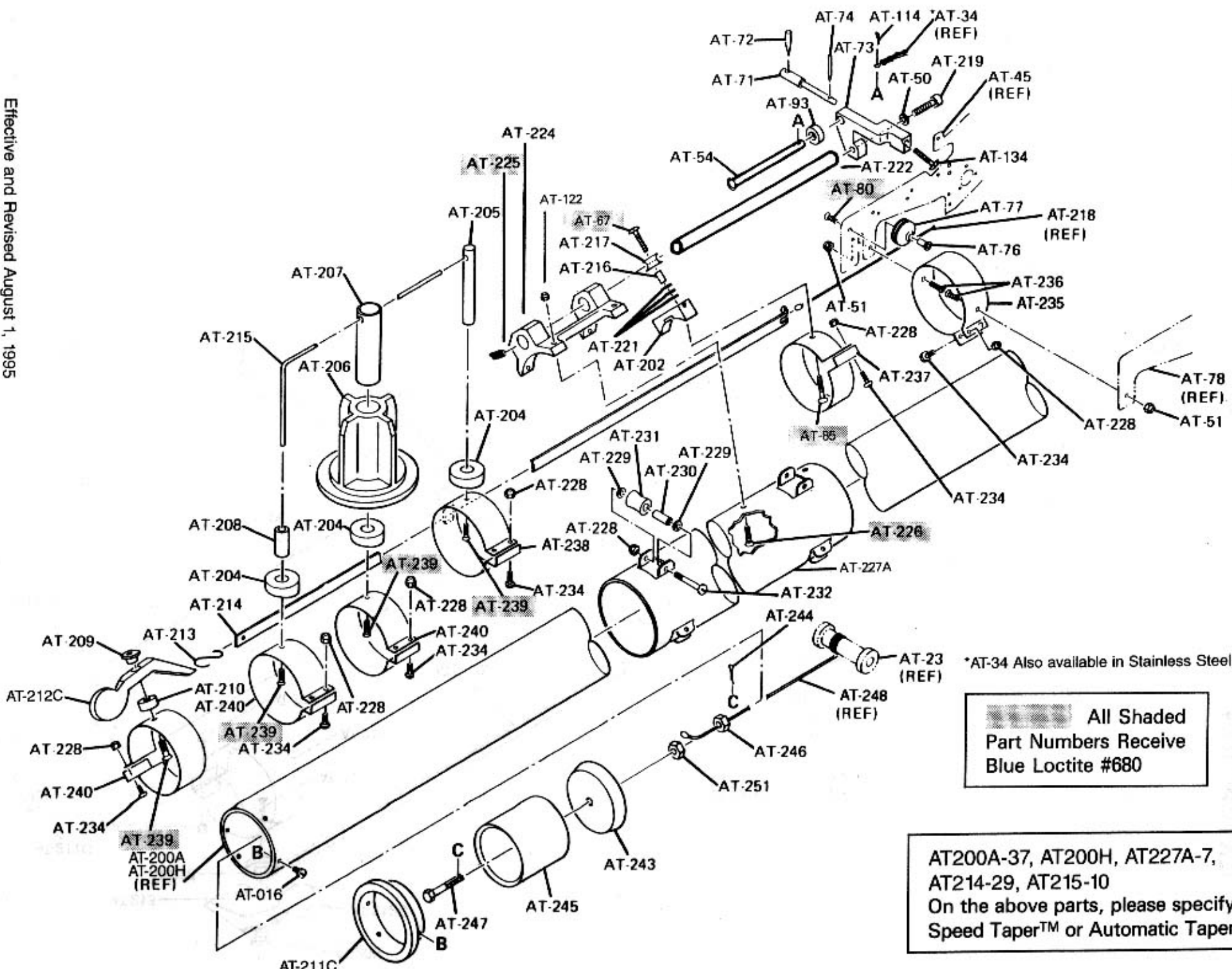


# AUTOMATIC TAPER

(Sheet 3 of 3)



\*AT-34 Also available in Stainless Steel.

**All Shaded  
Part Numbers Receive  
Blue Loctite #680**

**AT200A-37, AT200H, AT227A-7,  
AT214-29, AT215-10  
On the above parts, please specify  
Speed Taper™ or Automatic Taper**

Effective and Revised August 1, 1995