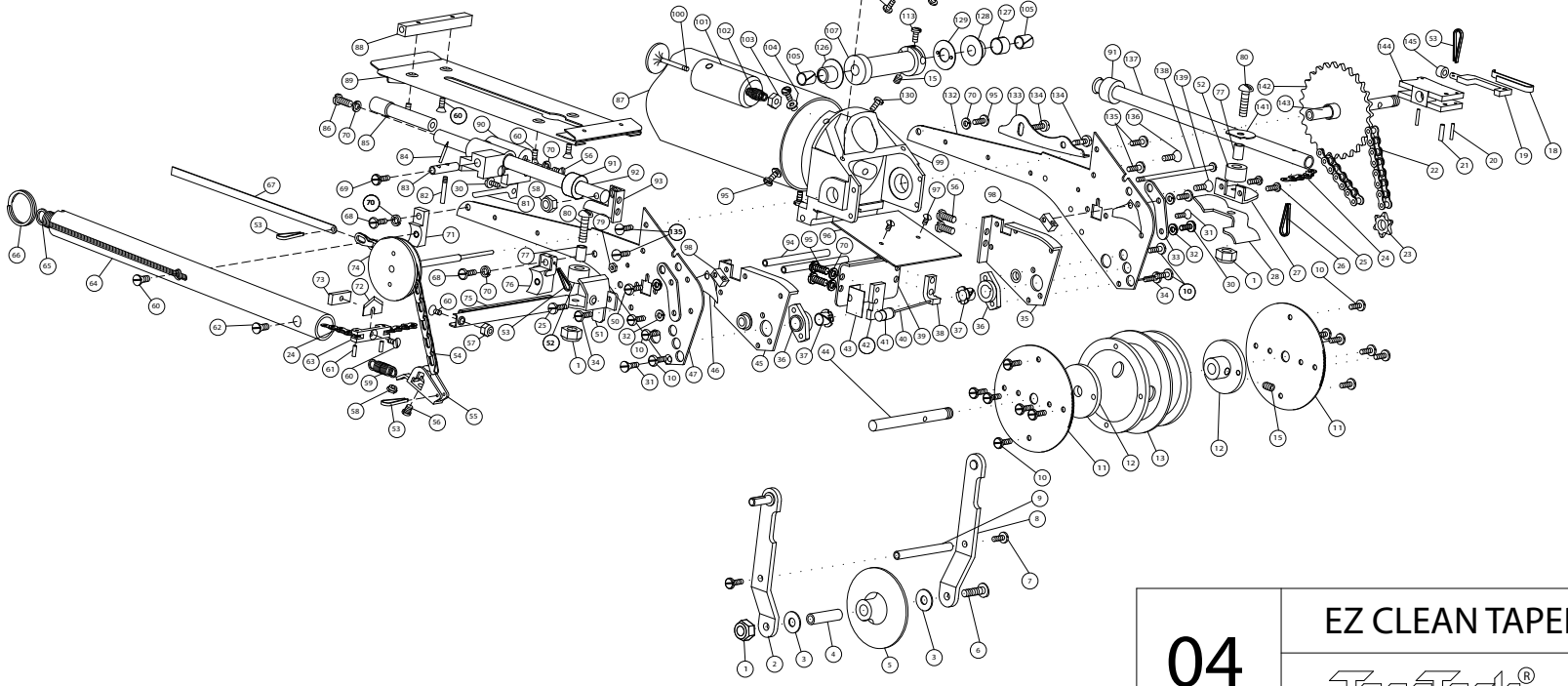
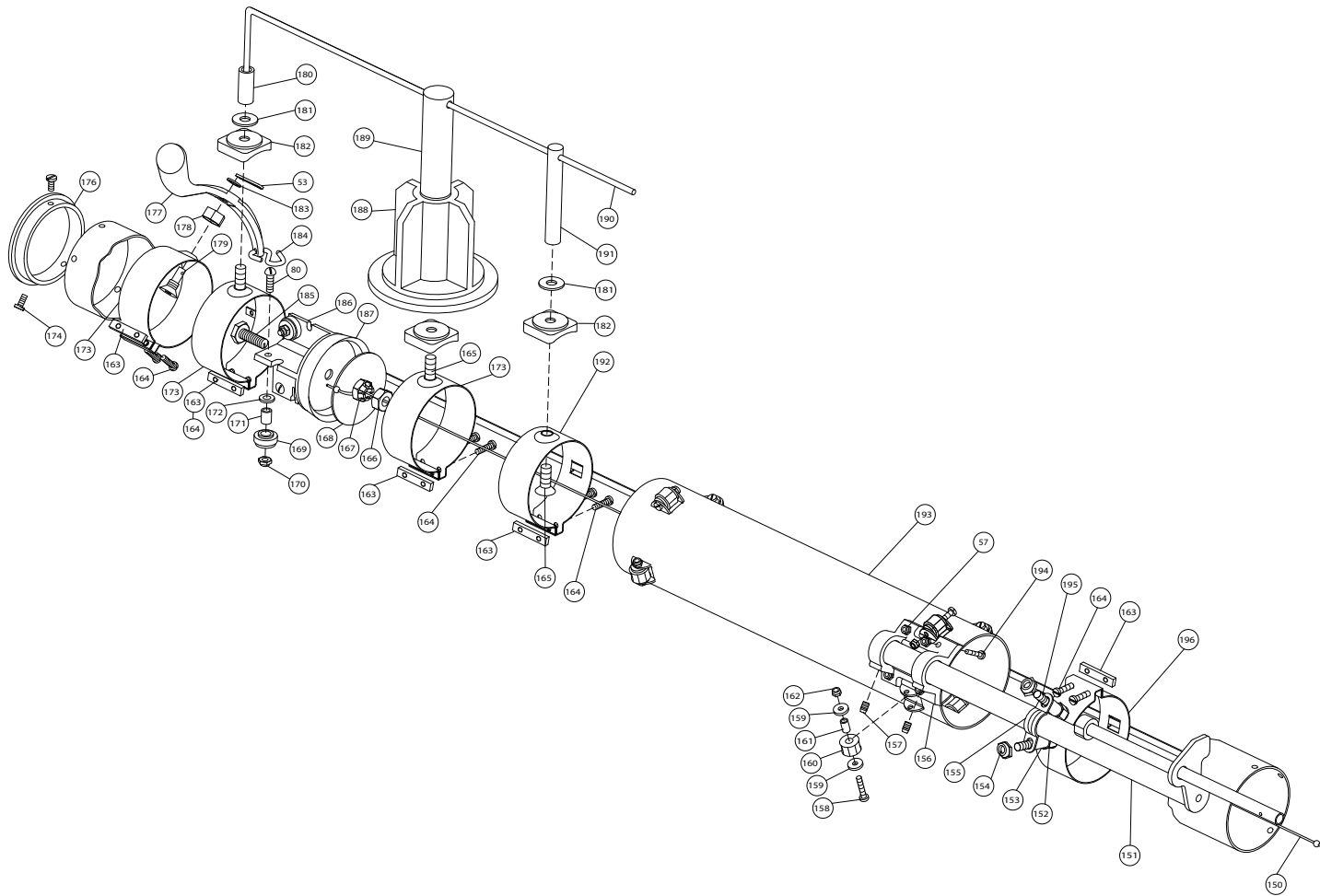


See Exploded View For Details Of Assembly



| | | |
|-----------|--|----------|
| 04 | EZ CLEAN TAPER ASSY | REV |
| | TopoTech [®] an AVYA enterprise | C |



| | | |
|-----------|---|-----------------|
| 04 | EZ CLEAN TAPER ASSY | |
| |  an  enterprise | REV C |

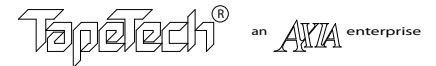


| REVISIONS | | | | |
|-----------|-----|---------------------------------|----------|-----|
| ECN | REV | DESCRIPTION | DATE | BY |
| | A | RELEASE FOR PRODUCTION | 12/20/06 | HM |
| 1502 | B | UPDATE PER ECN 1457, 1493, 1511 | 05/07 | HM |
| 1546 | C | REPL (2) 059022 w (1) 056022 | 02/09 | MWJ |
| 1553 | C | REPL 050142F, 050133, 050001 | 02/09 | MWJ |

| Item | Part NO | Description | Qty | Item | Part NO | Description | Qty | Item | Part NO | Description | Qty | Item | Part NO | Description | Qty |
|------|---------|------------------------|-----|------|---------|------------------------|-----|------|---------|-------------------------|-----|------|---------|-------------------------|-----|
| 001 | 059074 | STOPNUT, 8-32 HEX SST | 3 | 051 | 050046 | CHAIN ROLLER SUPPORT | 1 | 100 | 050064F | VALVE | 1 | 150 | 054209F | CABLE ASSEMBLY | 1 |
| 002 | 054095F | LONG CREASER ARM ASSY | 1 | 052 | 050134 | CHAIN ROLLER | 2 | 101 | 054059F | FILLER BODY ASSEMBLY | 1 | 151 | 054219 | CONTROL ARM ASSEMBLY | 1 |
| 003 | 209042 | #10 BRASS WASHER | 2 | 053 | 059143 | 1/16 X 1/2 COTTER PIN | 4 | 102 | 059061F | VALVE SPRING | 1 | 152 | 059227 | SPECIAL NUT | 2 |
| 004 | 050070F | CREASER WHEEL AXLE | 1 | 054 | 050145 | CREASER CHAIN | 1 | 103 | 059060 | 3-48 HEX STOPNUT | 1 | 153 | 050226 | GUIDE ROLLER | 2 |
| 005 | 050073 | CREASER WHEEL | 1 | 055 | 050079 | CREASER CRANK | 1 | 104 | 059164 | STAR WASHER | 5 | 154 | 059225 | 10-32 NUT THIN PAT | 2 |
| 006 | 059092 | 8-32 X 1 1/2 RD HD SC | 1 | 056 | 059013 | 6-32 X 5/16 RD HD SC | 4 | 105 | 059148 | BEARING | 2 | 155 | 050232 | CONTROL EXT. SUPPORT | 1 |
| 007 | 059020 | 6-32 X 3/8 BD HD SC | 3 | 057 | 609012 | 4-40 STOPNUT SST. | 5 | 106 | 041054F | GASKET | 1 | 156 | 050211F | BRACKET | 1 |
| 008 | 054096F | SHORT CREASER ARM ASSY | 1 | 058 | 059018 | 6-32 STOPNUT THIN PAT. | 3 | 107 | 050083F | CABLE DRUM | 1 | 157 | 059220 | 8-32 X 5/16 SETSCREW | 2 |
| 009 | 050023F | SPACER ROD | 1 | 059 | 050081F | CREASER RETURN SPRING | 1 | 108 | 059056 | 2-56 X 3/16 BD HD SC | 4 | 158 | 059210 | 5-40 X 11/16 RD HD SC | 8 |
| 010 | 059057 | 4-40 X 3/16 BD HD SC | 18 | 060 | 059102 | 4-40 X 1/4 FL HD SC | 8 | 109 | 049048 | RETAINING RING | 1 | 159 | 059213 | WASHER | 16 |
| 011 | 050093F | TAPER WHEEL | 2 | 061 | 059129 | CUTTER BLOCK PIN | 2 | 110 | 041055F | COVER PLATE TOP | 1 | 160 | 050215 | ROLLER | 8 |
| 012 | 050109F | WHEEL HUB | 2 | 062 | 509010 | 4-40 X 5/16 FL HD SC | 1 | 111 | 051001 | OUTLET VALVE HANDLE | 1 | 161 | 050214F | ROLLER BUSHING | 8 |
| 013 | 050094F | WHEEL SPOOL | 1 | 063 | 051135 | CUTTER BLOCK | 1 | 112 | 042051 | HOLD DOWN SCREW | 1 | 162 | 059212 | 5-40 HEX LOCK NUT | 8 |
| 014 | 041052F | BOTTOM PLATE | 1 | 064 | 050063 | SPRING COVER | 1 | 113 | 059014 | 4-40 X 3/16 TRUSS HD | 1 | 163 | 050212F | LOCK BLOCK | 5 |
| 015 | 059084 | 8-32 X 1/4 SETSCREW | 2 | 065 | 050132F | CUTTER RETURN SPRING | 1 | 114 | 050019 | DISENGAGING CAM | 1 | 164 | 059230 | 5-40 X 13/32 BD HD SC | 10 |
| 016 | 044080F | ENCLOSURE ASSEMBLY | 1 | 066 | 059067 | KEY RING | 1 | 115 | 050017 | COLLAR BUSHING | 1 | 165 | 059238 | 1/4-20 X 1/2 FL HD SC | 3 |
| 017 | | | | 067 | 050249 | CREASER CONNECTOR | 1 | 116 | 050041F | DISENGAGING ROD BEARING | 1 | 166 | 059206 | 1/4-20 HEAVY HEX NUT | 1 |
| 018 | 050115F | DRIVE DOG SPRING | 1 | 068 | 059091 | 6-32 1/2 FIL HD SC | 2 | 117 | 059040 | "O" RING | 1 | 167 | 059201 | 1/4-20 SLOTTED HEX NUT | 1 |
| 019 | 054116F | DRIVE DOG ASSEMBLY | 1 | 069 | 059051 | 6-32 X 3/16 FIL HD SC | 1 | 118 | 050039F | "O" RING HOUSING | 1 | 168 | 050204 | CUP WASHER | 1 |
| 020 | 059119 | PIN (SERVICE ONLY) | 2 | 070 | 059016 | LOCKWASHER | 9 | 119 | 040036F | BRACKET BASE | 1 | 169 | 050259 | ROLLER | 4 |
| 021 | 059120 | DRIVE DOG AXLE | 1 | 071 | 050072F | REAR SUPPORT | 1 | 120 | | | | 170 | 059260 | 8-32 HEX NUT, SST. | 4 |
| 022 | 058126F | DRIVE CHAIN | 1 | 072 | 056133 | BLADE | 1 | 121 | 050034F | DISENGAGING CAM | 1 | 171 | 050257 | BEARING | 4 |
| 023 | 050125F | DRIVE SPROCKET | 1 | 073 | 050137F | CLAMP | 1 | 122 | 059005 | 4-40 HEX NUT | 2 | 172 | 059207 | WASHER | 4 |
| 024 | 056142 | CUTTER CHAIN | 2 | 074 | 054032F | PUSH ROD ASSEMBLY | 1 | 123 | 050004 | WIPER RETAINER | 1 | 173 | 050254 | BAND | 3 |
| 025 | 059161 | 4-40 X 3/8 FL HD SC | 4 | 075 | 050113F | CUTTER BLOCK TUBE | 1 | 124 | 050003 | CONTROL VALVE WIPER | 1 | 174 | 059252 | 6-32 X 3/16 RD HD SC | 3 |
| 026 | 059025 | 5/64 X 1/2 COTTER PIN | 1 | 076 | 050071F | FRONT SUPPORT | 1 | 125 | 050058 | CONTROL VALVE | 1 | 175 | | | |
| 027 | 050141 | CHAIN ROLLER SUPPORT | 1 | 077 | 050128F | CHAIN ROLLER BUSHING | 2 | 126 | 050086F | HEAD BUSHING | 1 | 176 | 050251F | TUBE PROTECTOR | 1 |
| 028 | 050163 | DRIVE CHAIN GUIDE | 1 | 078 | 049049 | "O" RING | 1 | 127 | 059149 | TINITE BEARING | 1 | 177 | 054245F | TRIGGER ASSEMBLY | 1 |
| 029 | | | | 079 | 059087 | 3-48 MINIATURE HEX NUT | 1 | 128 | 050099F | HEAD BUSHING | 1 | 177 | 051262 | TRIG BUSH (REPAIR ONLY) | 1 |
| 030 | 059037 | 4-40 X 1/4 BD HD SC | 9 | 080 | 059127 | 8-32 X 5/8 TRUSS HD | 6 | 129 | 059082 | DRUM WASHER | 1 | 178 | 050242F | 1/4-20 SPECIAL HEX NUT | 1 |
| 031 | 059106 | 4-40 X 1/8 FL HD SC | 2 | 081 | 056022 | NEEDLE SPRING | 1 | 130 | 059085 | 8-32 X 1/4 FIL HD SC | 1 | 179 | 050243F | STUB SHAFT | 1 |
| 032 | 059038 | LOCKWASHER | 7 | 082 | 050027 | NEEDLE HOLDER LOCK | 1 | 131 | | | | 180 | 050240 | SOCKET | 1 |
| 033 | 050154 | BEARING BRACKET | 2 | 083 | 050050F | NEEDLE HOLDER | 1 | 132 | 050105 | SIDE PLATE | 1 | 181 | 059224 | WASHER | 2 |
| 034 | 209048 | 4-40 X 1/8 BD HD SC | 2 | 084 | 059049 | NEEDLE | 1 | 133 | 050123 | CAM | 1 | 182 | 050233 | ADAPTER | 3 |
| 035 | 054104 | TAPE RUNNER ASSEMBLY | 1 | 085 | 050030 | MAGNET | 1 | 134 | 059122 | #6 X 5/16 SELF TAP SC | 2 | 183 | 809006 | TRIGGER WASHER | 1 |
| 036 | 050150F | HUB | 2 | 086 | 059012 | 6-32 X 3/8 FIL HD SC | 1 | 134 | 059117 | #8x5/16 SC(REPAIR ONLY) | 1 | 184 | 709043 | "S" HOOK | 1 |
| 037 | 059078 | BEARING NYLINER | 2 | 087 | 056248G | TAPER TUBE, ANODIZED | 1 | 135 | 059021 | 4-40 X 5/32 BD HD SC | 4 | 185 | 050205 | CUP BOLT | 1 |
| 038 | 050009F | SPRING ANCHOR | 1 | 088 | 050090F | SPACER BAR | 1 | 136 | 059107 | 6-32 X 1/4 FL HD SC | 1 | 186 | 051200 | PLASTIC PISTON | 1 |
| 039 | 050011F | DRIP GUARD | 1 | 089 | 054101 | TAPE GUIDE ASSEMBLY | 1 | 137 | 050144F | LINK TUBE | 1 | 186 | 050200 | NON-WHEELED PISTON | 1 |
| 040 | 059010 | SPRING | 1 | 090 | 054028 | GOOSER ASSEMBLY | 1 | 138 | 050140F | TIE ROD, 3-48 SPECIAL | 1 | 187 | 050203 | CUP | 1 |
| 041 | 056007 | BRAKE ROLLER ASSY, SST | 1 | 090 | 050031 | GOOSER BUSH (SERVICE) | 1 | 139 | 059029 | 6-32 X 5/8 FL HD SC | 1 | 188 | 050244 | SPOOL | 1 |
| 042 | 050043F | ANVIL | 1 | 091 | 050068 | CHAIN STOP | 2 | 140 | | | | 189 | 050237 | SPOOL SHAFT | 1 |
| 043 | 059044 | INSERT | 1 | 092 | 054111F | GOOSER GUIDE | 1 | 141 | 059024 | CHAIN KEEPER | 1 | 190 | 058241 | TAPE ROLL KEEPER | 1 |
| 044 | 050110F | DRIVE SHAFT | 1 | 093 | 050053 | CAM GOOSER RELEASE | 1 | 142 | 054114F | SPROCKET | 1 | 191 | 050231 | POST | 1 |
| 045 | 054075 | TAPE RUNNER ASSEMBLY | 1 | 094 | 050152F | SPACER ROD | 2 | 143 | 052121F | SHAFT | 1 | 192 | 050235 | BAND | 1 |
| 046 | 059098 | SHIM | 2 | 095 | 059015 | 6-32 X 1/4 FL HD SC | 10 | 144 | 054118F | DRIVE DOG HOLDER | 1 | 193 | 056222T | CONTROL TUBE, ANODIZED | 1 |
| 047 | 050089 | SIDE PLATE | 1 | 096 | 054048F | BAFFLE PLATE ASSEMBLY | 1 | 145 | 059108 | ROLLER (REPAIR ONLY) | 1 | 194 | 059217 | 4-40 X 3/8 BD HD SC | 6 |
| 048 | | | | 097 | 059047 | 2-56 X 1/8 BD HD SC | 2 | 146 | | | | 195 | 059228 | 10-32 X 1 FL HD SC | 2 |
| 049 | 041053F | GLAND | 1 | 098 | 050080F | SCREW BLOCK | 2 | 147 | | | | 196 | 050229 | BAND | 1 |
| 050 | 059156 | 4-40 X 5/16 BD HD SC | 7 | 099 | 056100F | TAPER HEAD | 1 | 148 | | | | 197 | 059264 | 4-40 X 7/16 BD HD SC | 2 |

| | |
|---|--------------------|
| BY | DATE |
| DRAWN CHKD APPVD | HM DJC 02/09 |
| ALL DIMENSIONS IN INCHES UNLESS OTHERWISE NOTED | |
| TOLERANCES UNLESS NOTED XX ± 0.010 XXX ± 0.005 ANGLES ± 1/2° | |
| MATERIAL | |

EZ CLEAN TAPER ASSY



| | | | |
|-------------------|-------|------------------------|-----------------|
| SIZE B | SCALE | DWG NO. 04TT | REV C |
| ASSEMBLY REF. NO. | | SHEET 1 of 1 | |

